

The Sphero+System



Scope of delivery for each wall panel:

- 2 fixing knobs
 - 1 × round
 - 1 × slotted
- 2 screws with dowels

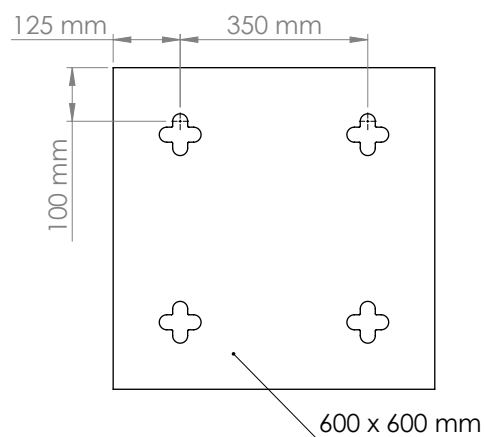
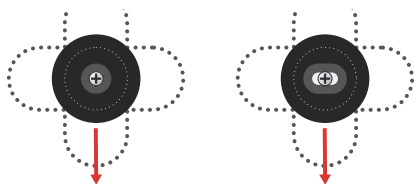


① Mark the centre of the mounting points on the surface. The distances are shown in the technical drawings on the right.

② Drill 2 holes and attach the mounting knobs. One with the opening across, the other up. This allows you to align the acoustic wall panels later, even if the holes are not drilled accurately.

③ Now place the panels on the mounting knobs and press on the panels and pull them down slightly.

Done with better room acoustics!



In most cases, 2 points are sufficient for attaching the wall panels.

